

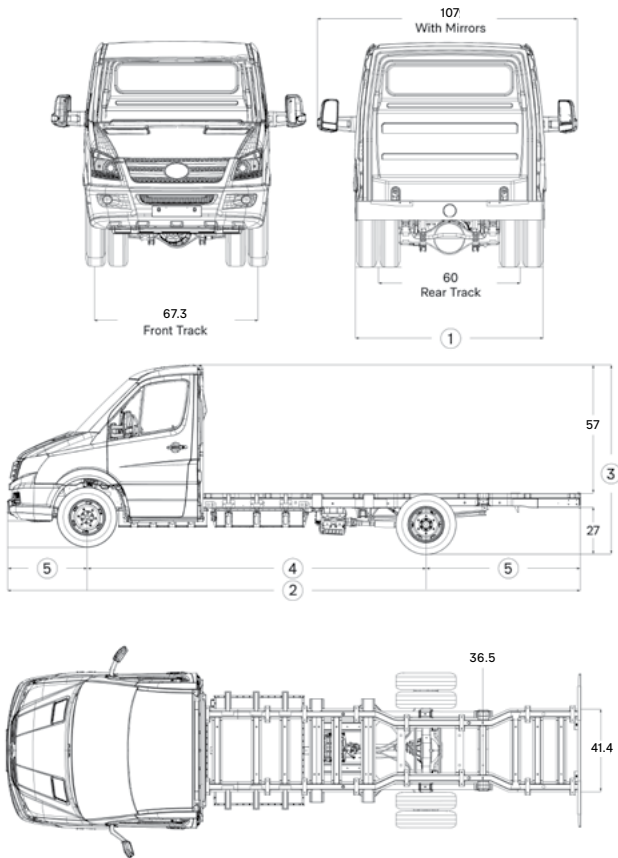
**WORKHORSE™**

# W4 CC

Vehicle Specifications  
and Technical Data



# Technical Data



Vehicle Class	4	Efficiency:	
GVWR	14,300	MPGe	48
Curb Weight	7,300	kWh/mile	0.77
Payload	7,000	miles/kWh	1.3
Axle Load Rating - Front	4,409		
Axle Load Rating - Rear	9,920		
<b>Battery:</b>		<b>Charging:</b>	
kWh	118	Level 2	J1772/11 kW/~11 hrs
Voltage	576	Level 3	CCS-1/61 kW/3-4 hrs
Chemistry	LiFePo4	Induction/Wireless	DC/60 kW/3-4 hrs
Range* (Nominal)	150 Miles	ECU Communications	CAN Bus/J1939
<b>Dimensions: (Inches)</b>		<b>HVAC</b>	
① Width	78		Heating
② Length	287		A/C
③ Height	93	Motor	150 kW max
④ Wheelbase	170	Top Speed (mph)	68
Front Track	67.3	Tires: #/Size	6/215/75R 17.5
Rear Track	60	Frame	Steel
Rail Height	36	Seating	2
Rail Length	188	Certification	MY 2022: FMVSS, ZEV
Cab-to-Axle Distance	110	Braking System	Front Disc/Rear Drum Brake, A.B.S
Turning Radius	46		
⑤ Front Overhang	40		
⑥ Rear Overhang	77		
Approach Angle	23°		
Breakover Angle	8°		
Departure Angle	21°		
Ground Clearance	8		

\*While Workhorse trucks work hard and go a long way, driver habits, inclement weather, and other factors can limit range. Your results may vary.

**Disclosure:** No express or implied representations, warranties, or guarantees of any kind are given to the accuracy, completeness, or correctness of the information contained in this communication. This communication does not ensure the availability of any Workhorse products. Workhorse reserves the right to modify product specifications, pricing, and equipment at any time.

